

Inventors
Ernest L. Fickett
William O. Forman
Philip E. Arthur
BY
Soutgate Fay & Hanley
ATTORNEYS

STEAM ENGINE

Filed July 21, 1934

4 Sheets-Sheet 2

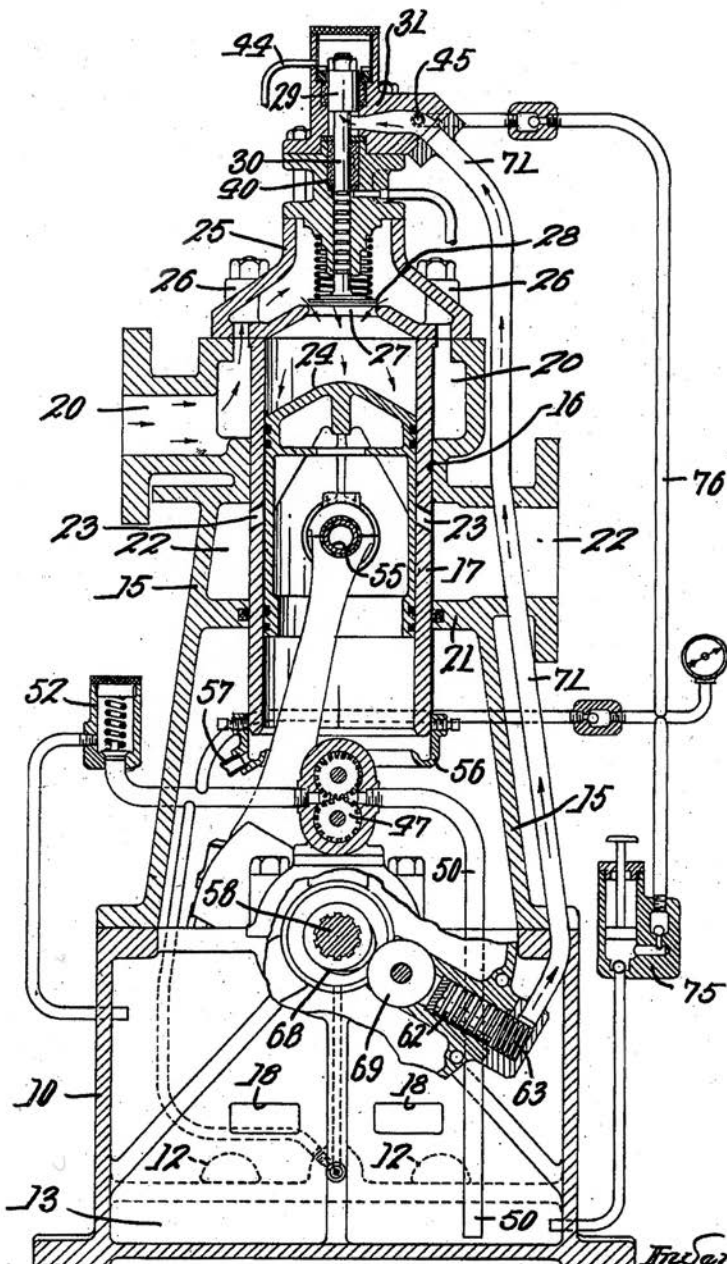


FIG. 2.

Inventors
Ernest L. Fickett
William O. Forman
Philip E. Arthur
BY
Sawyer, Foy & Hanley
ATTORNEYS

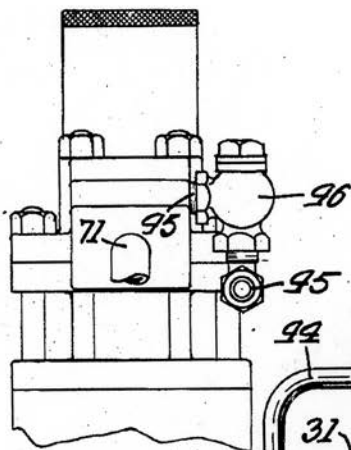


Fig. 4.

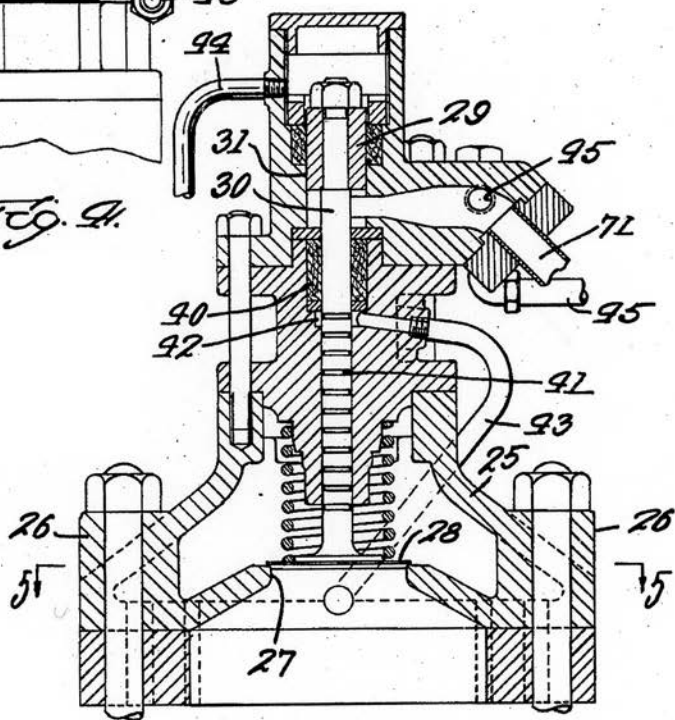


Fig. 3.

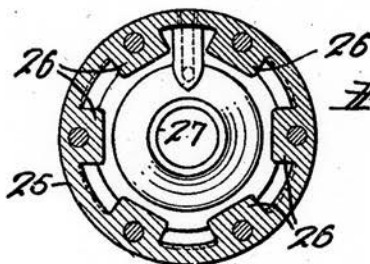


Fig. 5.

Inventors
Ernest L. Fickett
William O. Forman
Philip E. Arthur
BY
Southgate Fay & Hankey
ATTORNEYS

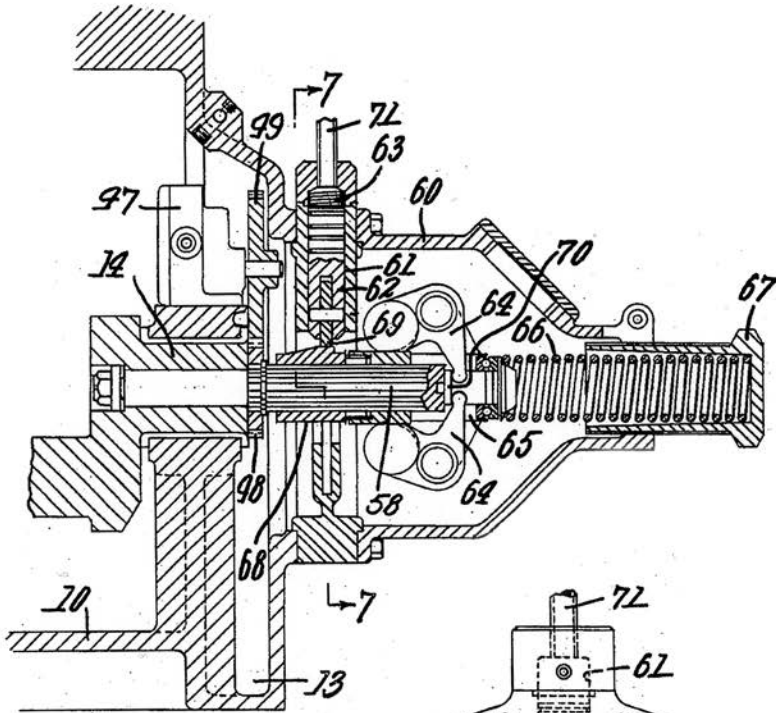


Fig. 6.

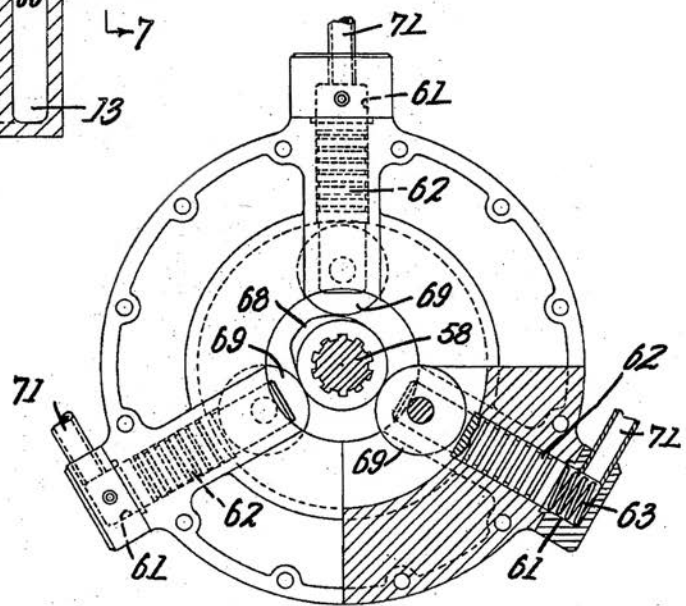


Fig. 7.

Inventors
Ernest L. Fickett
William O. Forman
Philip E. Arthur
BY
Sawley, De Vore & Apley
ATTORNEYS